

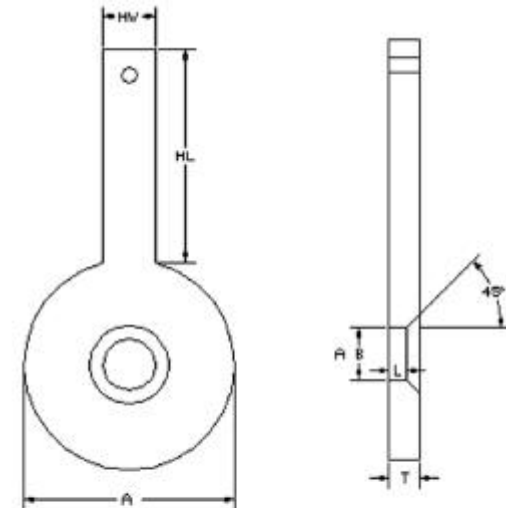
RADAFAB ORIFICE PLATES

Paddle Type **Orifice Plates** are manufactured for use with Raised Face Orifice Flanges and Holding Blocks. Each plate is carefully manufactured to meet or exceed standards set by A.G.A., I.S.A., A.N.S.I., A.S.M.E. and A.P.I. recommendations. Available in 304 & 316 Stainless Steel; Carbon Steel; and in other materials such as Monel, Hastelloy, Copper-Nickel, etc. Also specify if Bevel on bore is required.



Line Size (in)	Flange Rating A							HL (in)	HW (in)	T (in)
	150#	300#	400#	600#	900#	1500#	2500#			
1/2	1 7/8	2 1/8	2 1/8	2 1/8	2 1/2	2 1/2	2 3/4	4	1	1/8
3/4	2 1/4	2 5/8	2 5/8	2 5/8	2 3/4	2 3/4	3			
1	2 5/8	2 7/8	2 7/8	2 7/8	3 1/8	3 1/8	3 3/8			
1 1/4	3	3 1/4	3 1/4	3 1/4	3 1/2	3 1/2	4 1/8			
1 1/2	3 3/8	3 3/4	3 3/4	3 3/4	3 7/8	3 7/8	4 5/8			
2	4 1/8	4 3/8	4 3/8	4 3/8	5 5/8	5 5/8	5 3/4			
2 1/2	4 7/8	5 1/8	5 1/8	5 1/8	6 1/2	6 1/2	6 5/8			
3	5 3/8	5 7/8	5 7/8	5 7/8	6 5/8	6 7/8	7 3/4			
4	6 7/8	7 1/8	7	7 5/8	8 1/8	8 1/4	9 1/4			
5	7 3/4	8 1/2	8 3/8	9 1/2	9 3/4	10	11			
6	8 3/4	9 7/8	9 3/4	10 1/2	11 3/8	11 1/8	12 1/8			
8	11	12 1/8	12	12 5/8	14 1/8	13 7/8	15 1/4			
10	13 3/8	14 1/8	14 1/8	15 3/4	17 1/8	17 1/8	18 3/4			
12	16 1/8	16 5/8	16 1/2	18	19 5/8	20 1/2	21 5/8			
14	17 3/4	19 1/8	19	19 3/8	20 1/2	22 3/4	-			
16	20 1/4	21 1/4	21 1/8	22 1/4	22 5/8	25 1/4	-			
18	21 1/2	23 3/8	23 1/4	24	25	27 5/8	-			
20	23 3/4	25 5/8	25 3/8	26 3/4	27 3/8	29 5/8	-			
22	26	27 3/4	27 1/2	28 7/8	-	-	-			
24	28 1/8	30 3/8	30 1/8	31	32 7/8	35 1/2	-			
30	34 5/8	37 3/8	37 1/4	38 1/8	-	-	-			
36	41 1/8	43 7/8	43 7/8	44 3/8	-	-	-			

All dimensions are in inches. Additional sizes Available.



When Ordering Specify:

- Line Size
- Material
- Gasket Type if needed
- Delivery Date
- Plate Thickness
- Bore Size
- Quantity